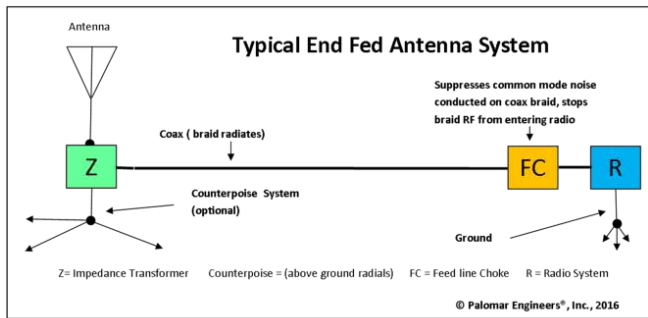
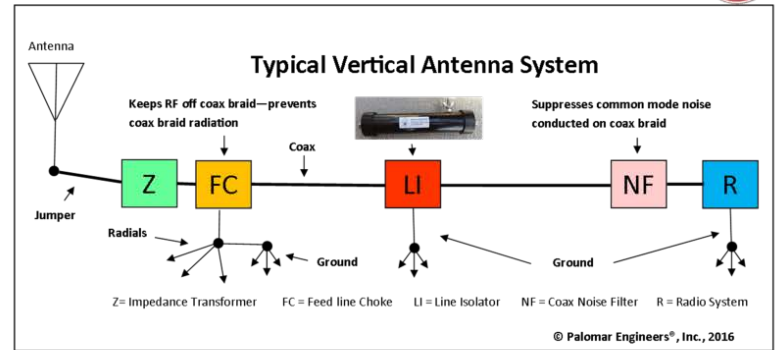
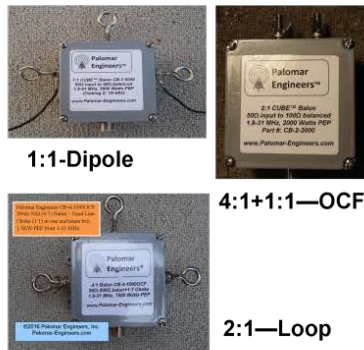
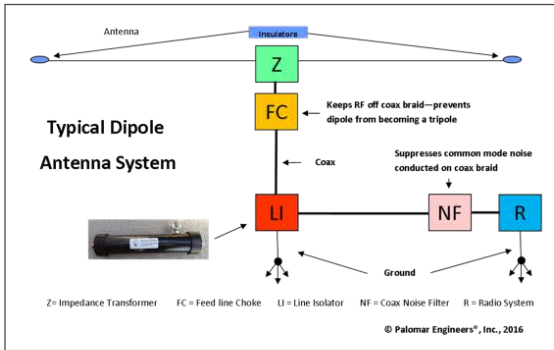
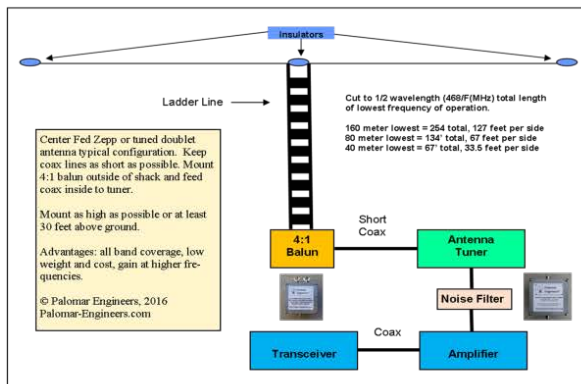
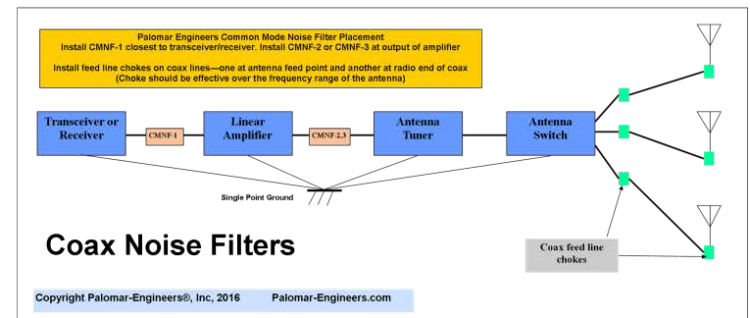


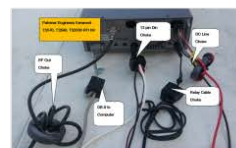
Palomar-Engineers® Antenna Optimization Workshop



© Palomar Engineers® 2016



AC/DC Noise Filters



Coax Feed Line Chokes

